

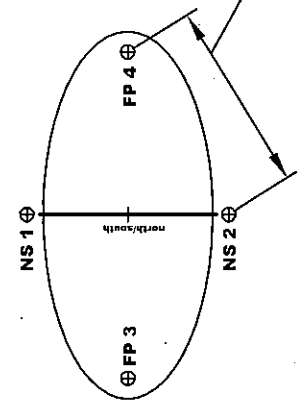
Use wood screw for trammel point

Drill hole to suit wood screw

This compass position is to find the perpendicular of the north/south line

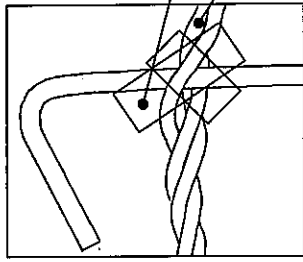
length to suit FP4 to NS2 in your sundial kit

Drill clearance hole and countersink to suit wood screw



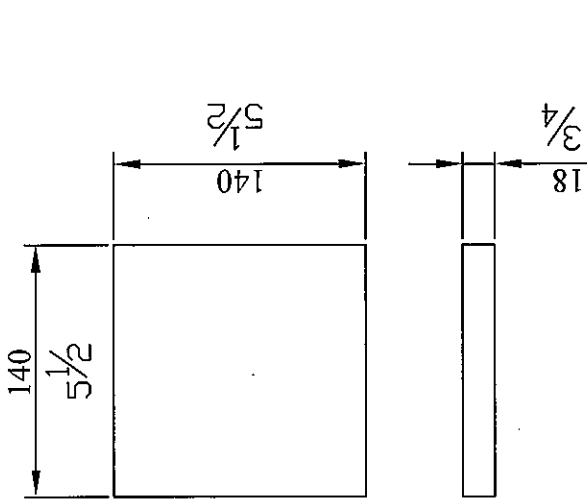
# Compass retainer

**Warning**  
 Loose tent pegs are easily lost in the grass  
 A lost tent peg in a play area is hazardous

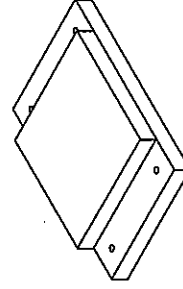
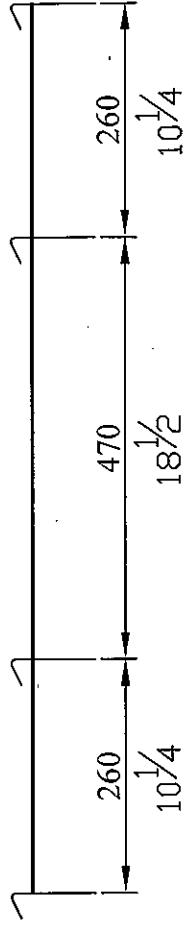
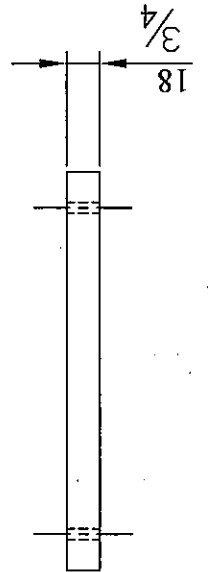
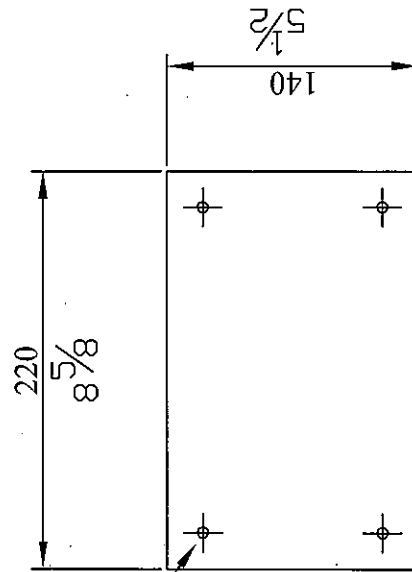


Wrap with electrical tape

High visibility rope



Drill hole to suit tent peg



4 required



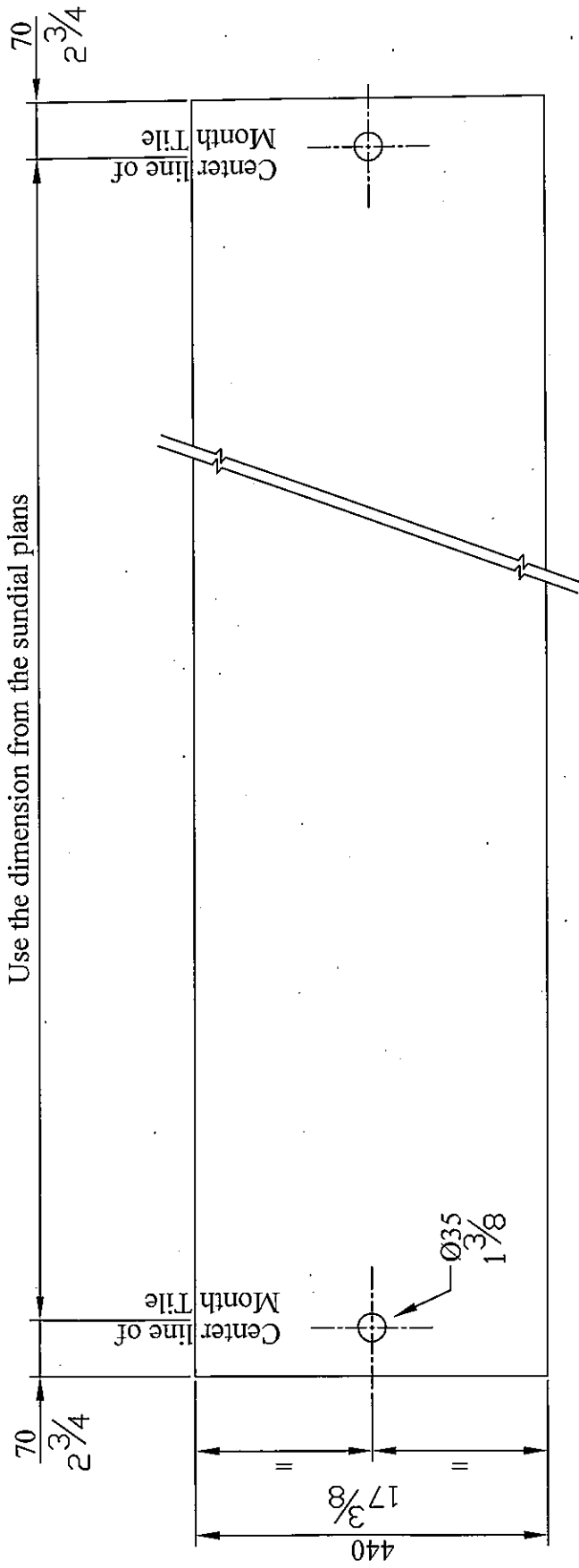
www.sundialsforlearning.com

Drawing No  
 1100-B-058

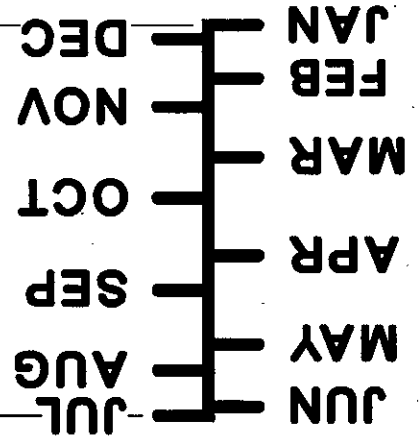
Revision  
 A

Grass Dial  
 Temporary Survey  
 Point Detail

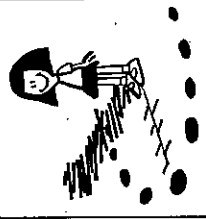
Use the dimension from the sundial plans



Use the dimension from the sundial plans



North / South Tile  
 Material : Plywood  
 1 required



www.sundialsforlearning.com

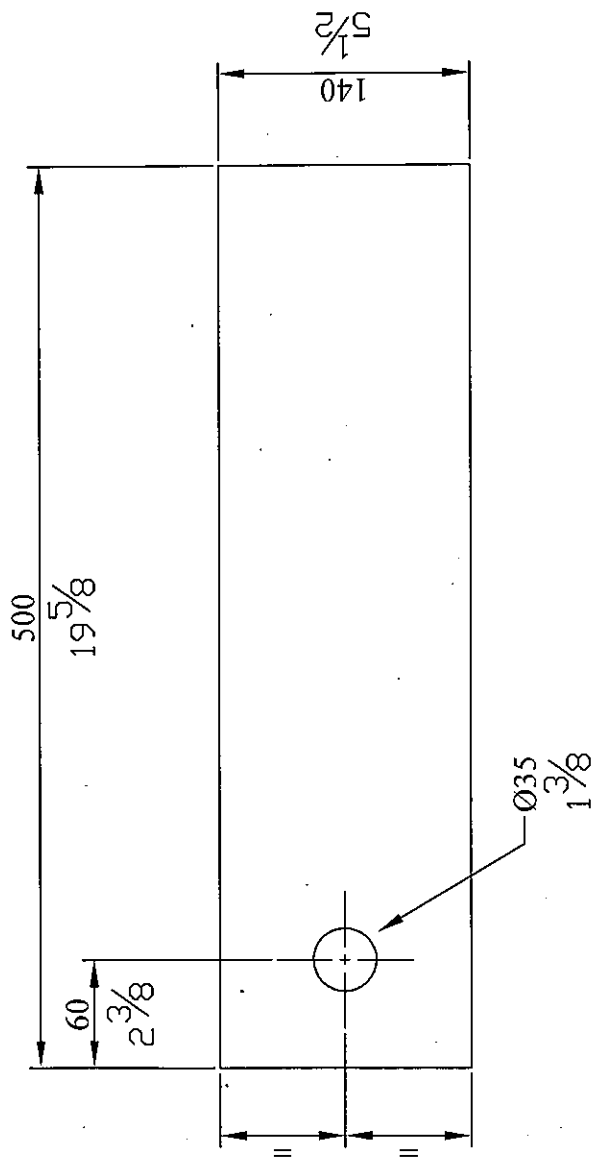
Drawing No

1100-B-060

Revision

A

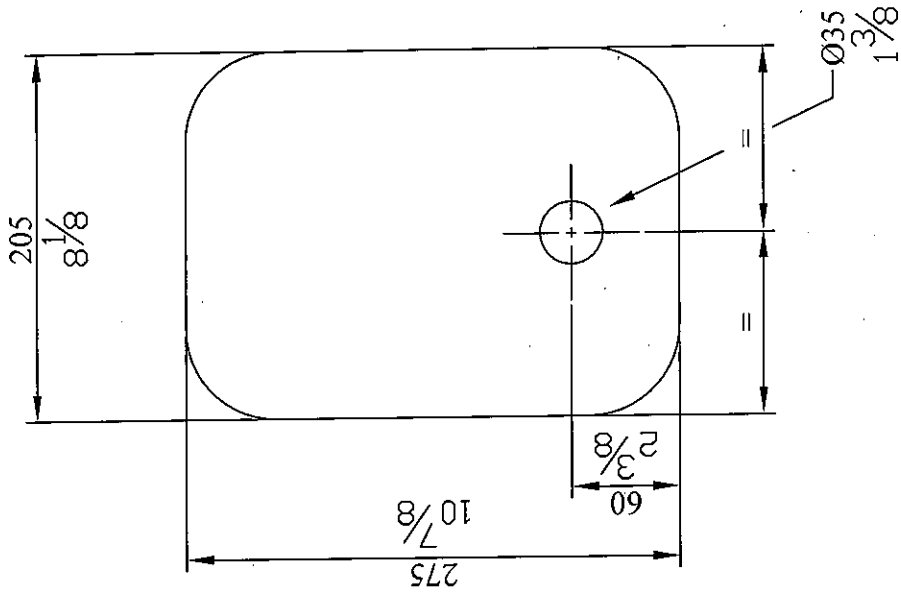
Layout Tool  
 Grass Dial  
 Survey Point Detail



Month Tile

Material : Plywood

12 required



Hour Tile

Material : Plywood

15 required

