

# Analemmatic Sundial

Sundial Layout practise

Exercise: Draw house by triangulation

step 1: draw each dot

step 2: connect the dots



## Required Materials

## Required

A1 sheet of paper

1

Tape measure

2

Sticky tape and tape dispenser

1

Electrical tape

1 roll

## Instructions

Tape a sheet of A1 paper on the classroom floor

Mark each measurement on the tape measure with electrical tap

Three students are required to draw each point

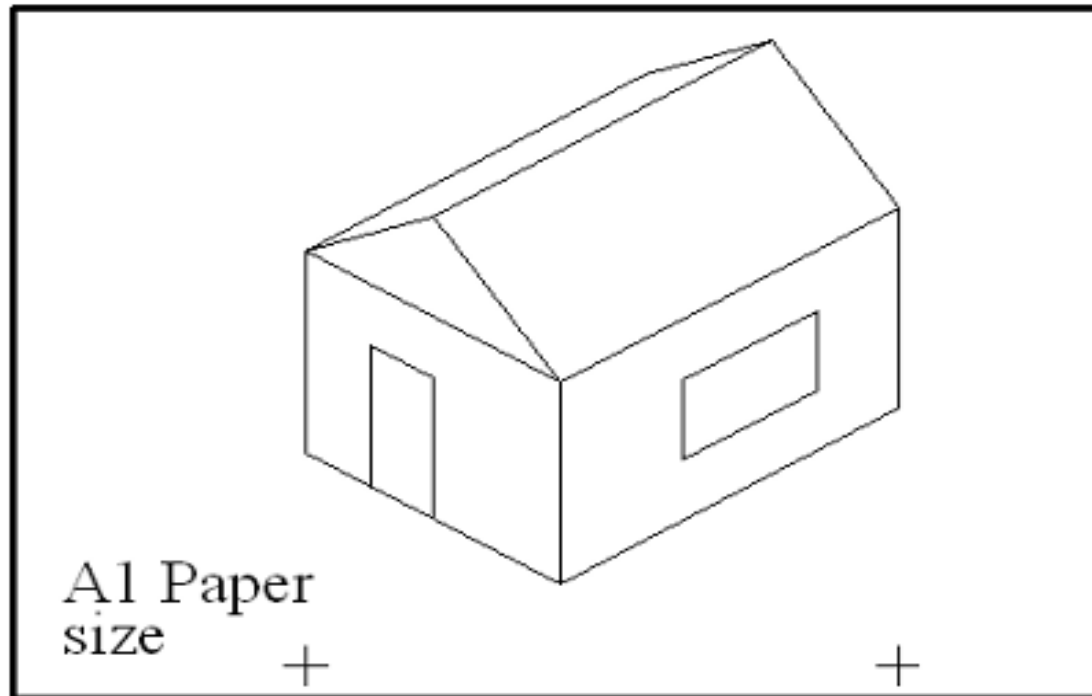
# Analematic Sundial

Sundial Layout practise

Exerise: Draw house by triangulation

step 1: draw each dot

step 2: connect the dots



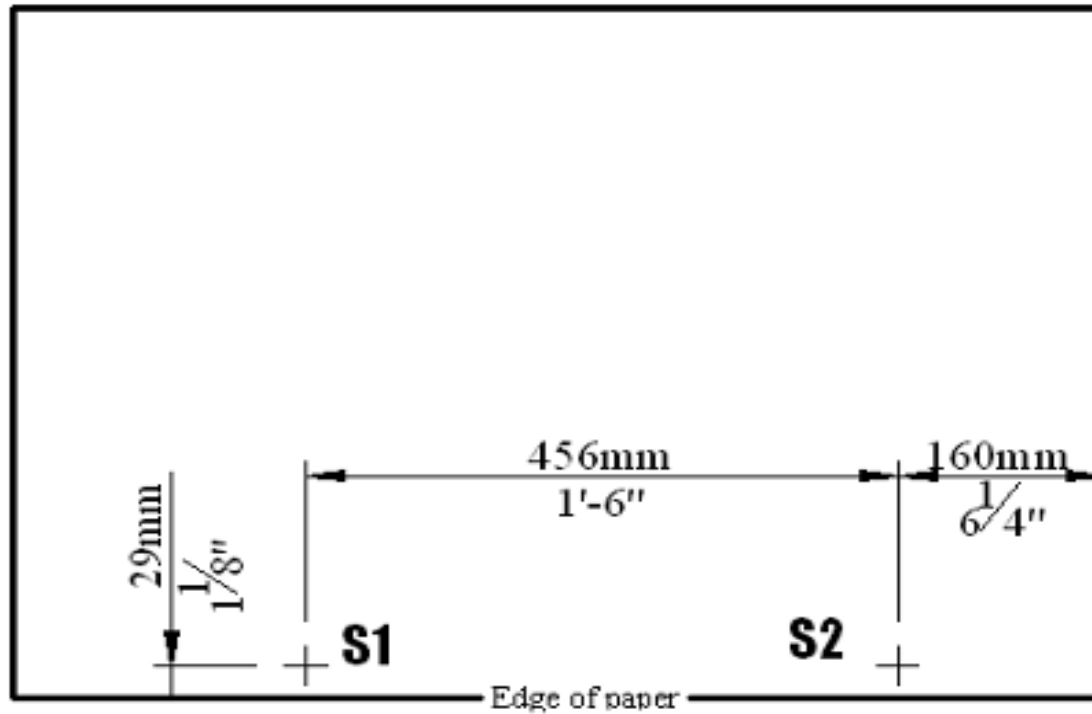
# Analematic Sundial

Sundial Layout practise

Exerise: Draw house by triangulation

step 1: draw each dot

step 2: connect the dots



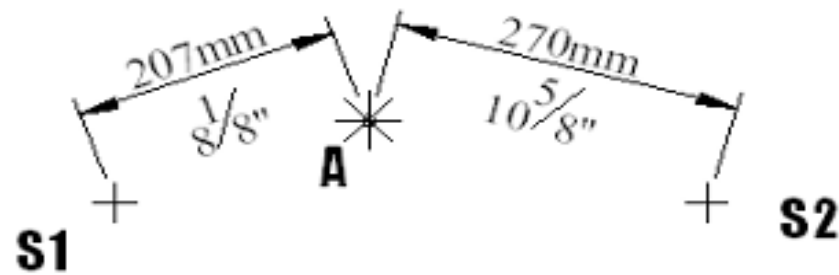
# Analematic Sundial

Sundial Layout practise

Exerise: Draw house by triangulation

step 1: draw each dot

step 2: connect the dots



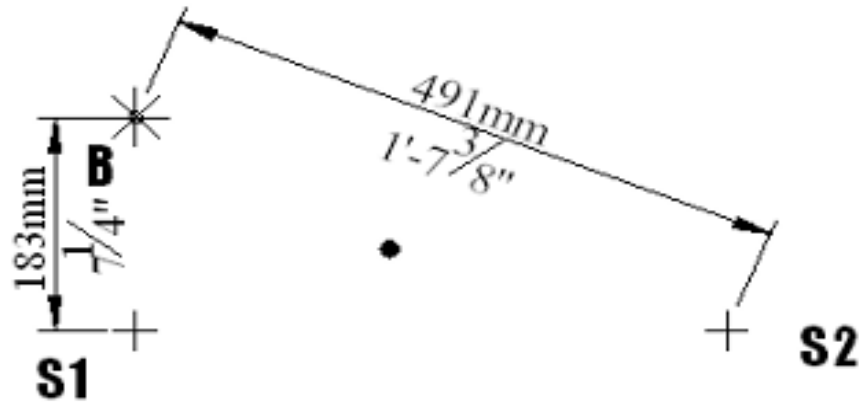
# Analematic Sundial

Sundial Layout practise

Exerise: Draw house by triangulation

step 1: draw each dot

step 2: connect the dots



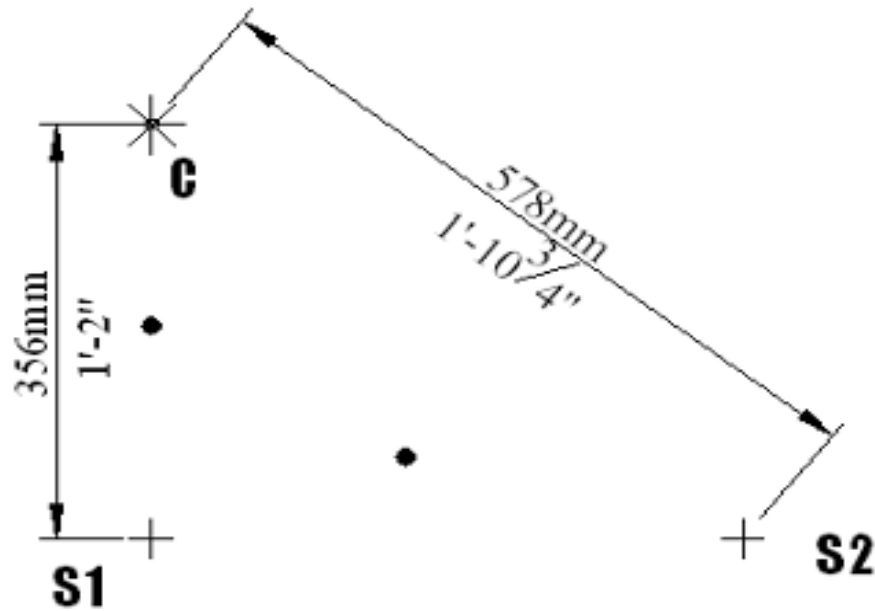
# Analematic Sundial

Sundial Layout practise

Exercise: Draw house by triangulation

step 1: draw each dot

step 2: connect the dots



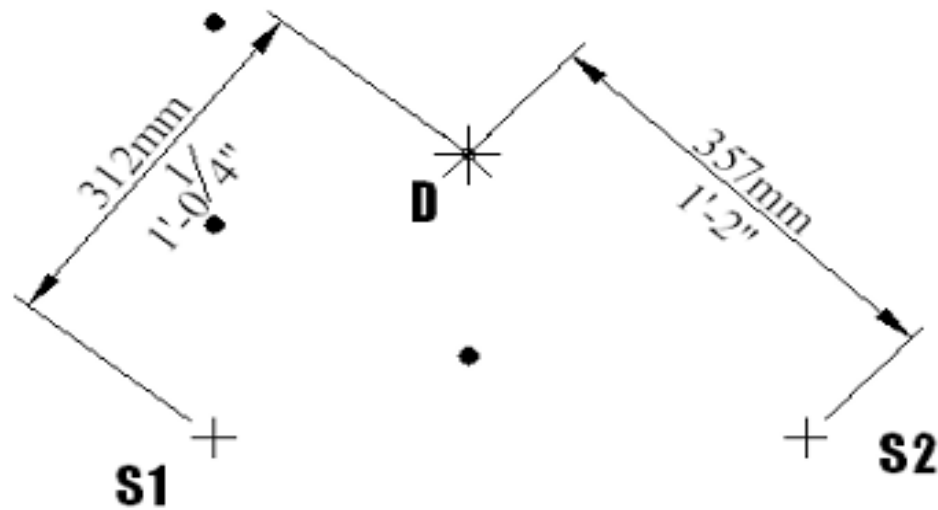
# Analematic Sundial

Sundial Layout practise

Exercise: Draw house by triangulation

step 1: draw each dot

step 2: connect the dots



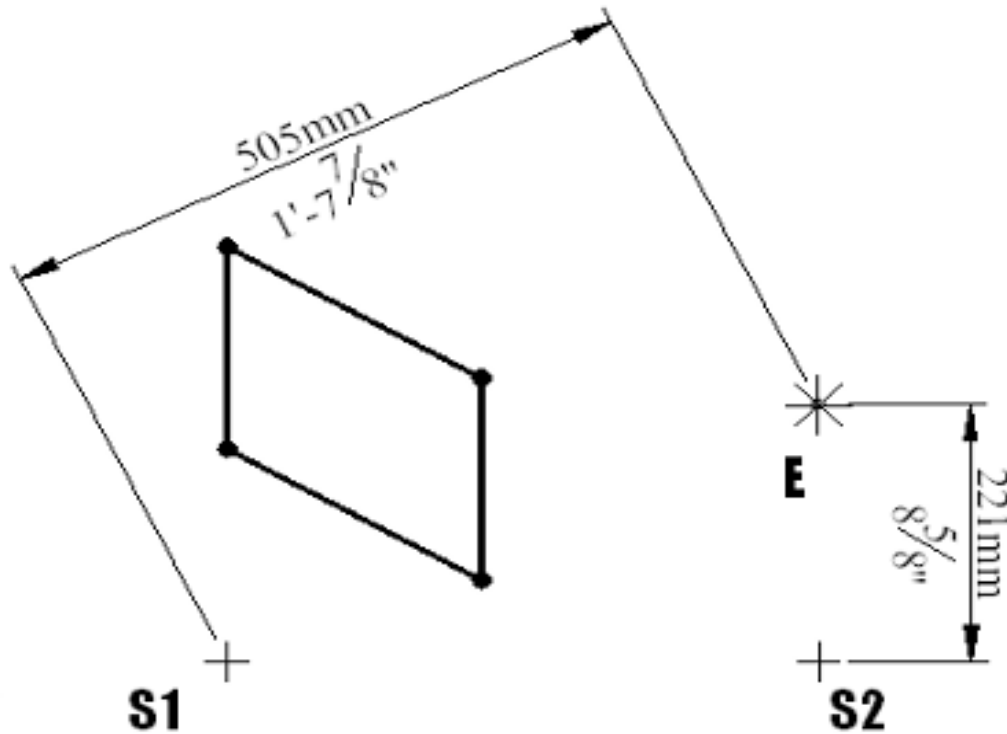
# Analematic Sundial

Sundial Layout practise

Exercise: Draw house by triangulation

step 1: draw each dot

step 2: connect the dots





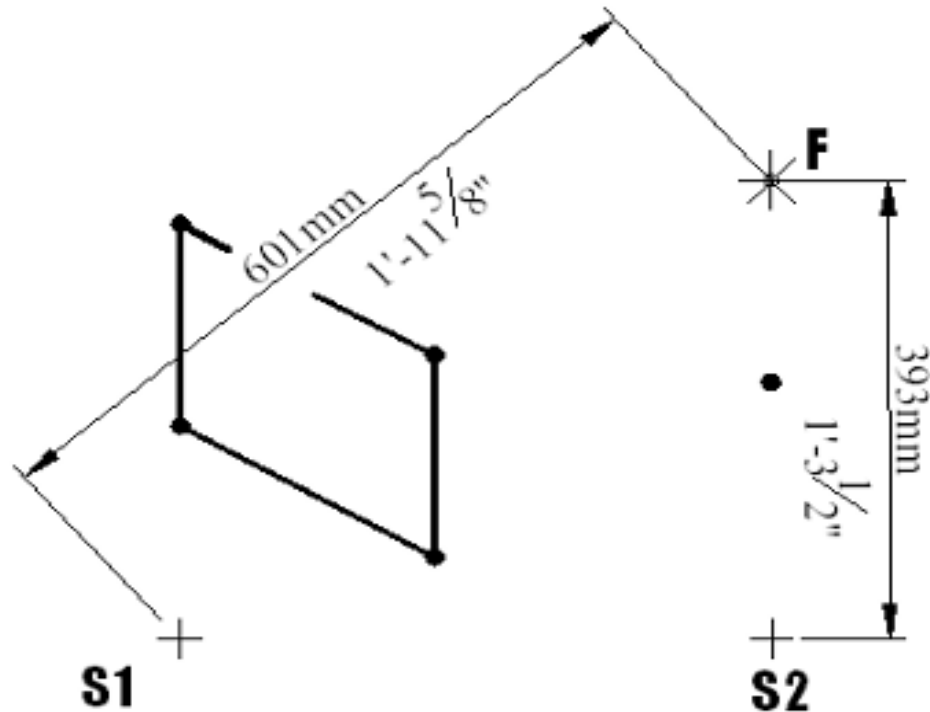
# Analematic Sundial

Sundial Layout practise

Exercise: Draw house by triangulation

step 1: draw each dot

step 2: connect the dots



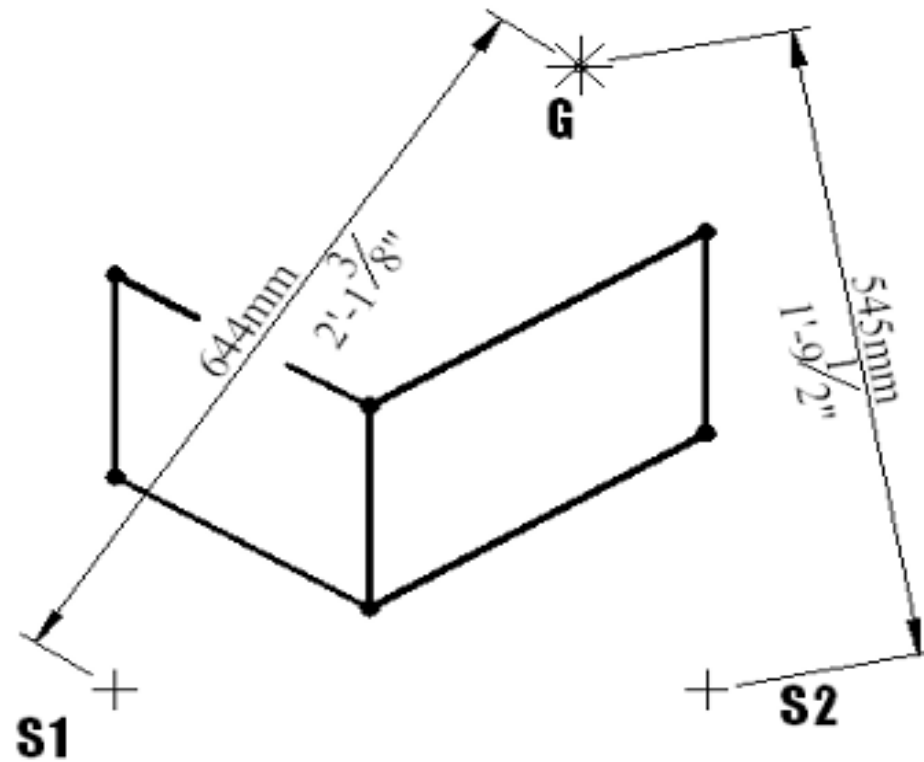
# Analematic Sundial

Sundial Layout practise

Exercise: Draw house by triangulation

step 1: draw each dot

step 2: connect the dots



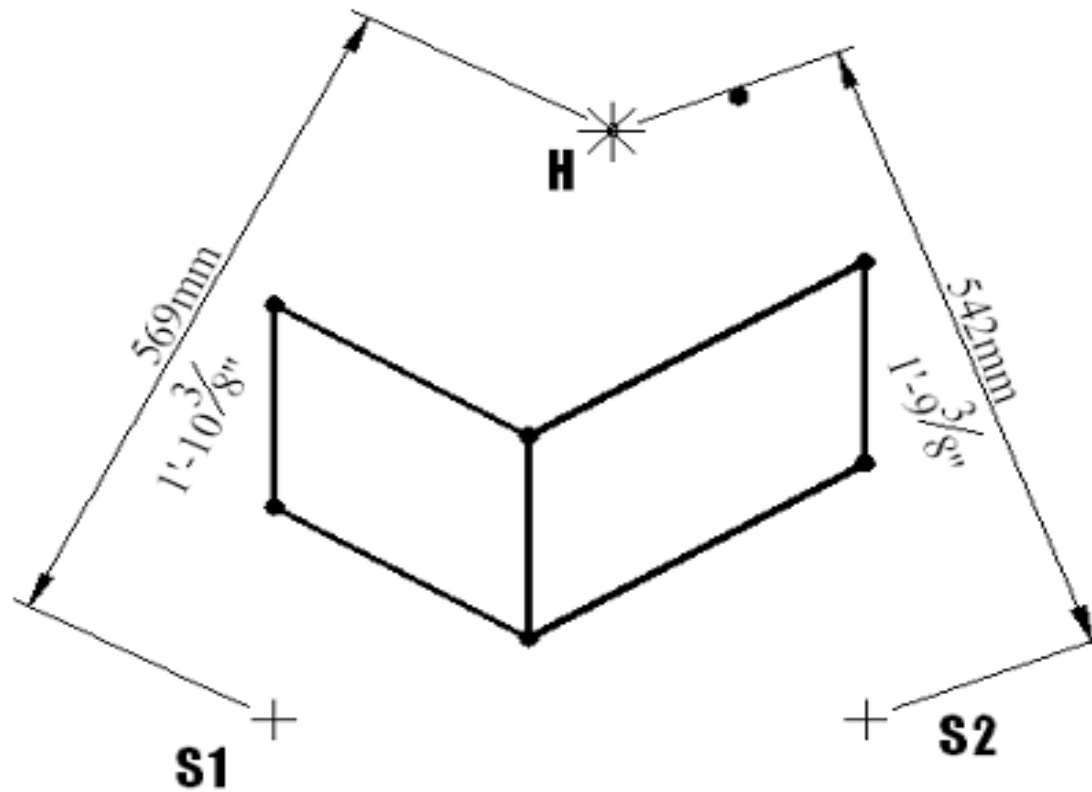
# Analematic Sundial

Sundial Layout practise

Exercise: Draw house by triangulation

step 1: draw each dot

step 2: connect the dots



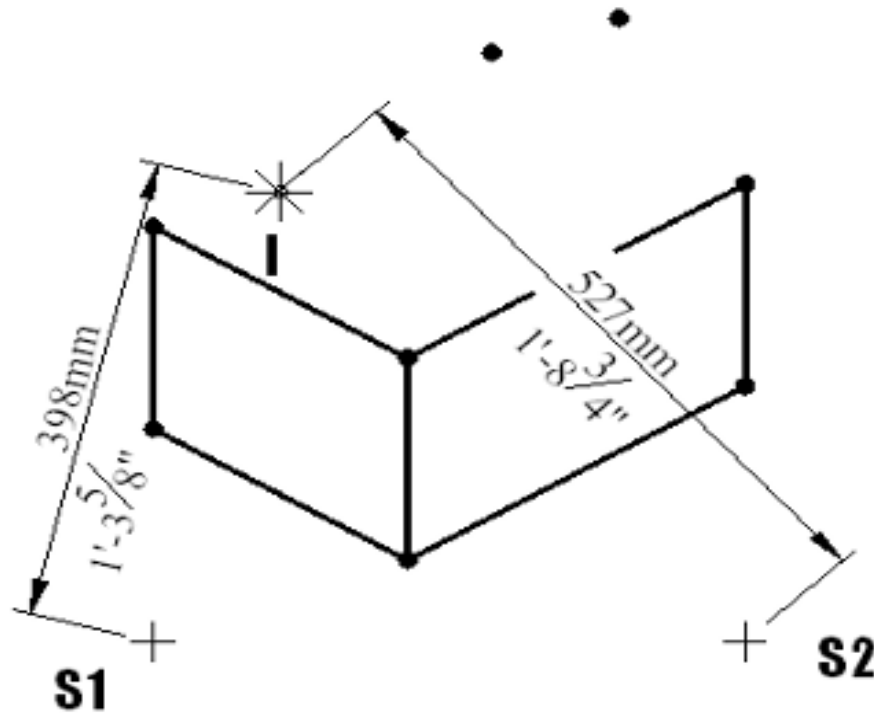
# Analematic Sundial

Sundial Layout practise

Exerise: Draw house by triangulation

step 1: draw each dot

step 2: connect the dots



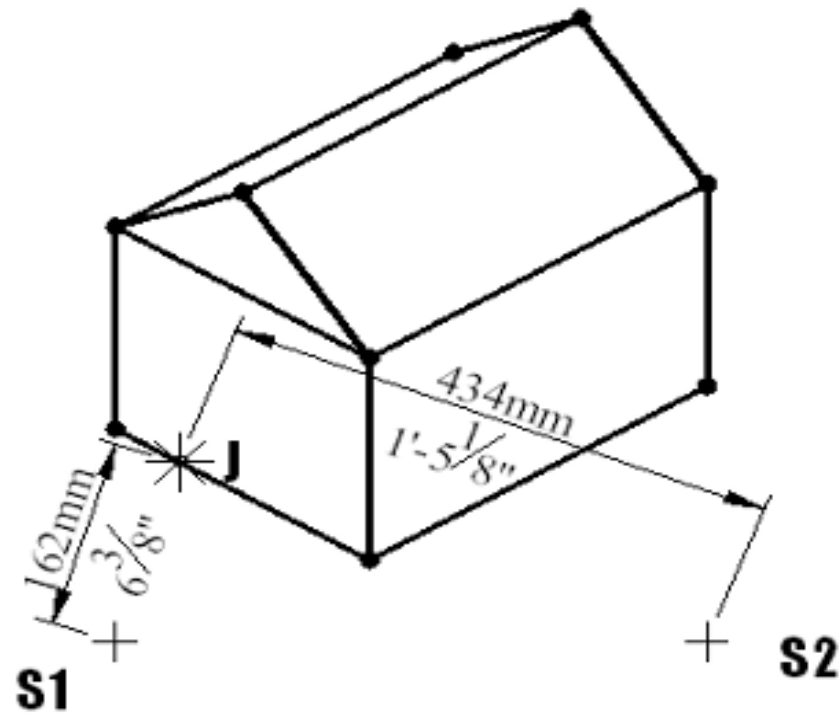
# Analematic Sundial

Sundial Layout practise

Exerise: Draw house by triangulation

step 1: draw each dot

step 2: connect the dots



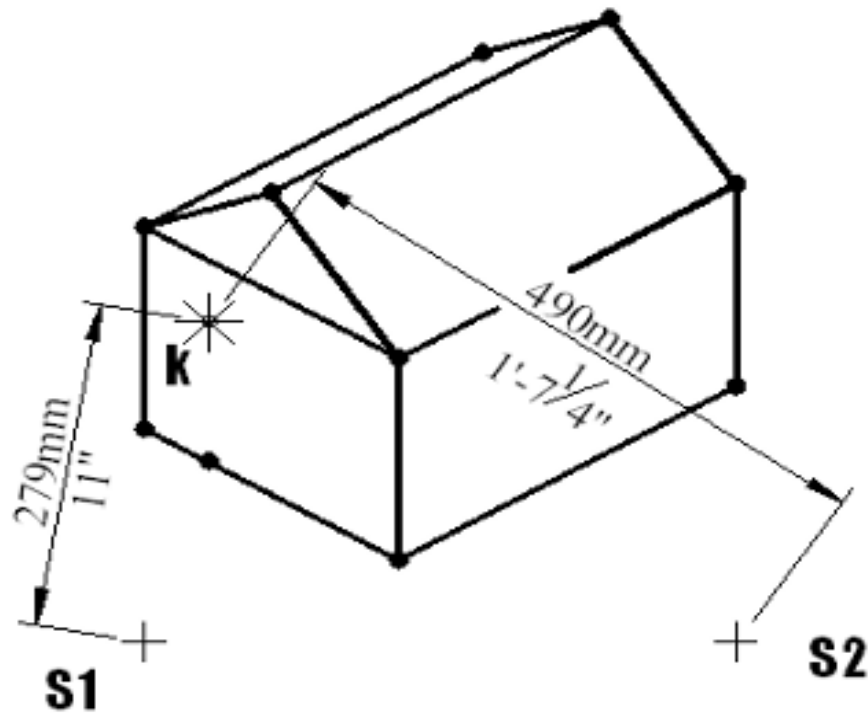
# Analemmatic Sundial

Sundial Layout practise

Exercise: Draw house by triangulation

step 1: draw each dot

step 2: connect the dots



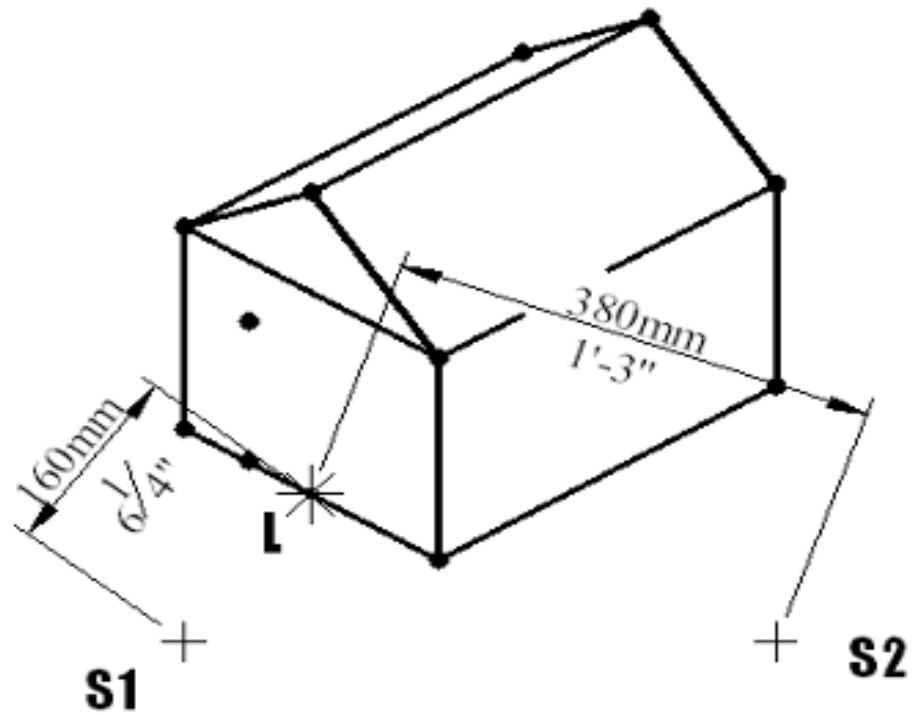
# Analematic Sundial

Sundial Layout practise

Exerise: Draw house by triangulation

step 1: draw each dot

step 2: connect the dots



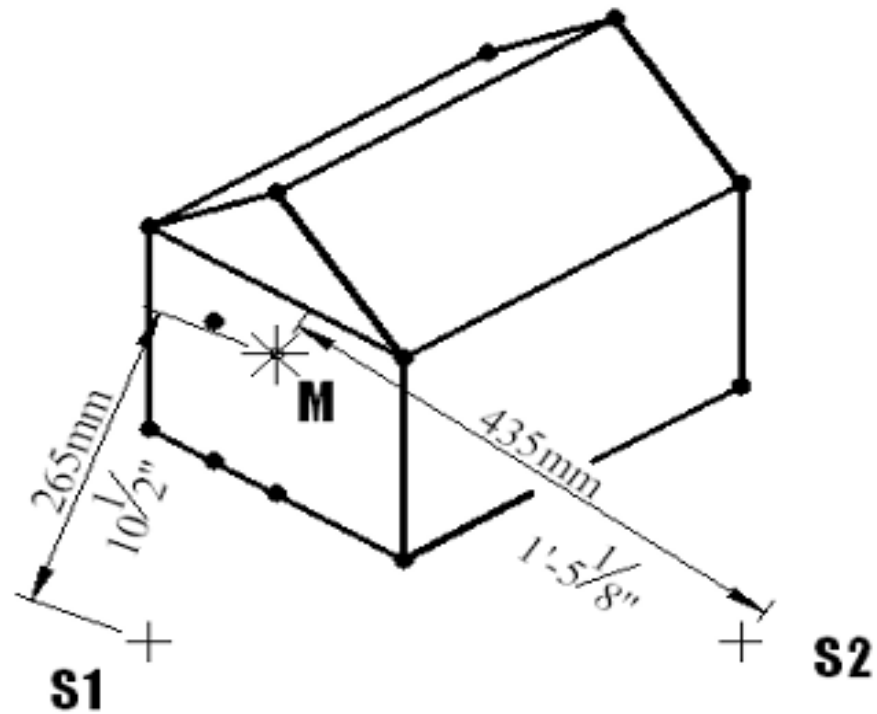
# Analematic Sundial

Sundial Layout practise

Exerise: Draw house by triangulation

step 1: draw each dot

step 2: connect the dots





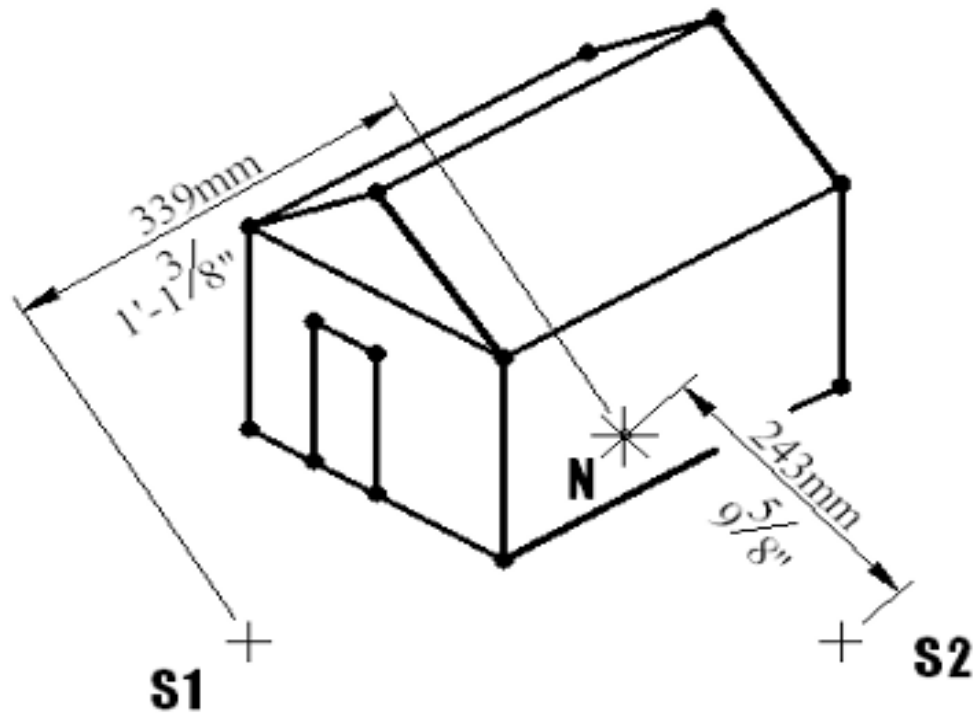
# Analematic Sundial

Sundial Layout practise

Exerise: Draw house by triangulation

step 1: draw each dot

step 2: connect the dots



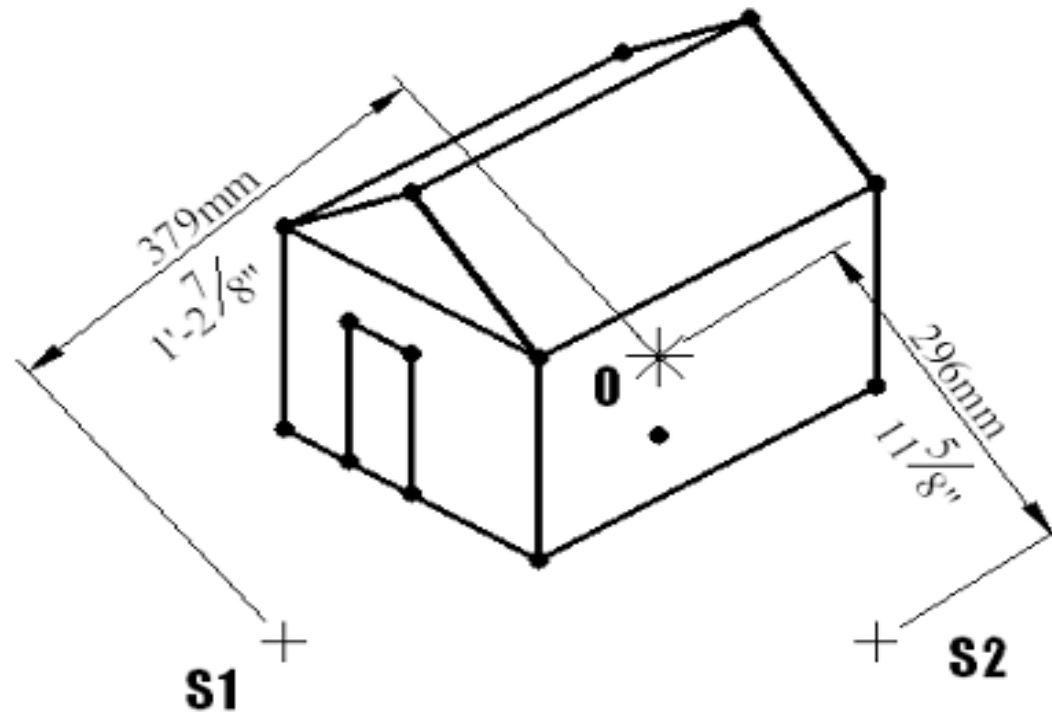
# Analematic Sundial

Sundial Layout practise

Exercise: Draw house by triangulation

step 1: draw each dot

step 2: connect the dots



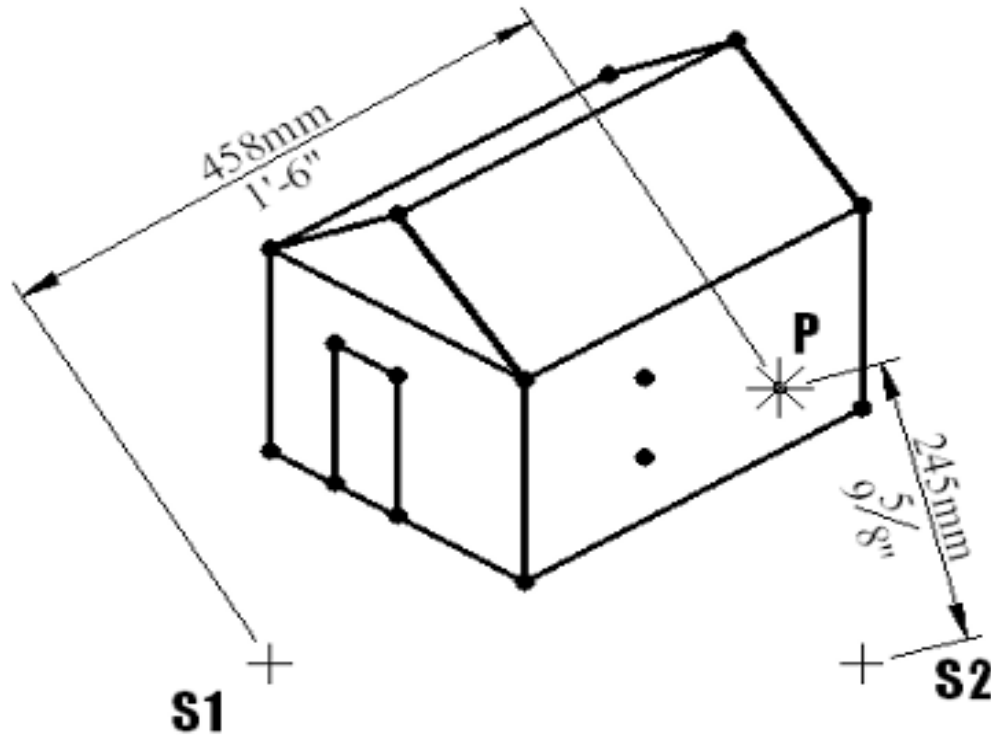
# Analematic Sundial

Sundial Layout practise

Exerise: Draw house by triangulation

step 1: draw each dot

step 2: connect the dots



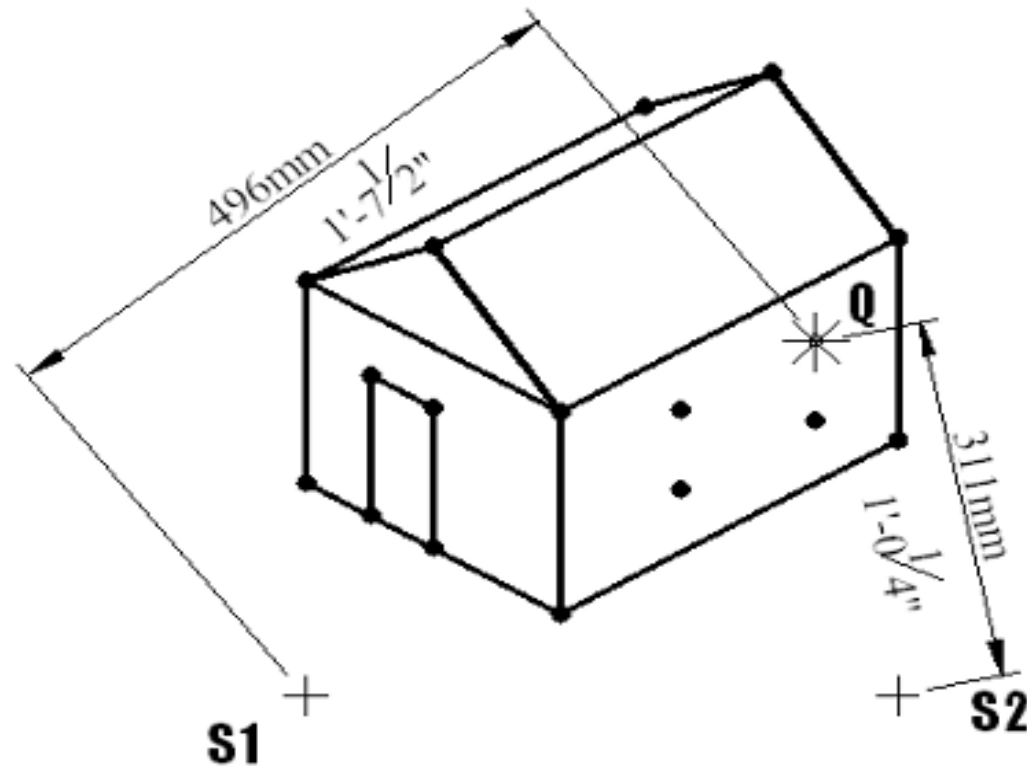
# Analematic Sundial

Sundial Layout practise

Exercise: Draw house by triangulation

step 1: draw each dot

step 2: connect the dots



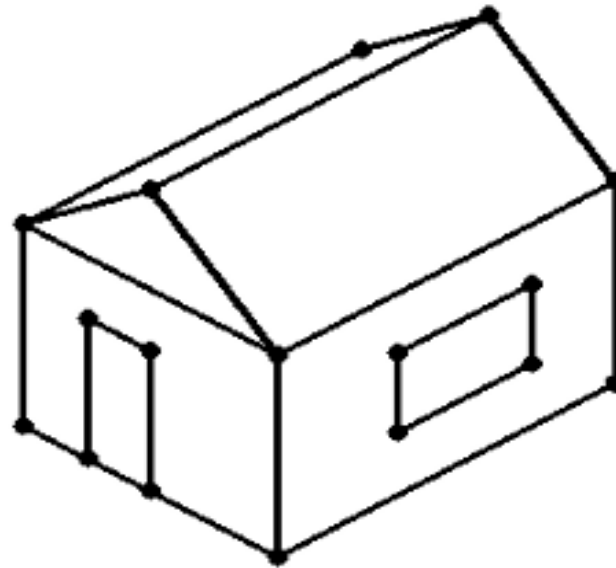
# Analematic Sundial

Sundial Layout practise

Exercise: Draw house by triangulation

step 1: draw each dot

step 2: connect the dots



**S1** + + **S2**